

21-DHI300

Original Instructions



GENERAL WARNINGS & DISPOSAL



To reduce the risk of injury, the user must read the instruction manual.



This symbol is used throughout this manual to warn the user about potential risks. Please read & understand these sections before using the device.



Personal Protective Equipment (P.P.E.), such as ear defenders, eye protection, safety gloves and a dust mask, must be worn during the operation of the device.



This product has been marked with a symbol relating to removing electric and electronic waste. The product should not be discarded with household waste but must be returned to a collection system which conforms to the European Directive 2012/19/EU. It will then be recycled or dismantled in order to reduce the impact on the environment. Electric and electronic equipment can be hazardous for the environment and for human health since they contain hazardous substances.



Class II Construction. This machine is double insulated. Therefore, an earth wire is not fitted.

The month and year of manufacture can be found within the product serial number e.g. MMYPPPAXXXXX. Where production month (MM) and production year (YY) are included.

21-DH1300 Designation of the tool (DH - Demolition Hammer, 1300 - 1300W power)



Contents

GENERAL POWER TOOL SAFETY WARNINGS	4
1. Work area safety	4
2. Electrical safety	4
3. Personal safety	4
4. Power tool use and care	5
5. Service	5
TOOL SPECIFIC SAFETY WARNINGS	6
Safety instructions for all operations	6
Safety instructions when using chisel bits	6
Electrical Safety	7
COMPONENT LIST	8
TECHNICAL DATA	9
NOISE INFORMATION	9
VIBRATION INFORMATION	10
OPERATING INSTRUCTIONS	11
Intended Use	11
Attaching the Auxiliary Handle	11
Replacing Bits	11
On/Off Trigger	11
Constant Speed	11
Maintenance	13
Transport and Storage	13
WARRANTY STATEMENT	14
Terms and Conditions	14-15
EU/UK DECLARATION OF CONFORMITY	16



GENERAL POWER TOOL SAFETY WARNINGS

WARNING!

Read all safety warnings, instructions and specifications provided with this power tool. Failure to follow all instructions listed below may result in electric shock, fire and/or serious injury. **Save all warnings and instructions for future reference.**

The term “power tool” in the warnings refers to your mains operated (corded) power tool or battery operated (cordless) power tool.

1. Work area safety

- **Keep work area clean and well lit.**
Cluttered or dark areas invite accidents.
- **Do not operate power tools in explosive atmospheres, such as in the presence of flammable liquids, gases or dust.** Power tools create sparks which may ignite the dust or fumes.
- **Keep children and bystanders away while operating a power tool.** Distractions can cause you to lose control.

2. Electrical safety

- **Power tool plugs must match the outlet. Never modify the plug in any way. Do not use any adapter plugs with earthed (grounded) power tools.** Unmodified plugs and matching outlets will reduce risk of electric shock.
- **Avoid body contact with earthed or grounded surfaces, such as pipes, radiators, ranges and refrigerators.** There is an increased risk of electric shock if your body is earthed or grounded.
- **Do not expose power tools to rain or wet conditions.** Water entering a power tool will increase the risk of electric shock.

- **Do not abuse the cord. Never use the cord for carrying, pulling or unplugging the power tool. Keep the cord away from heat, oil, sharp edges or moving parts.**
Damaged or entangled cords increase the risk of electric shock.
- **When operating a power tool outdoors, use an extension cord suitable for outdoor use.** Use of a cord suitable for outdoor use reduces the risk of electric shock.
- **If operating a power tool in a damp location is unavoidable, use a residual current device (RCD) protected supply.**
Use of an RCD reduces the risk of electric shock.

3. Personal safety

- **Stay alert, watch what you are doing and use common sense when operating a power tool. Do not use a power tool while you are tired or under the influence of drugs, alcohol or medication.** A moment of inattention while operating power tools may result in serious personal injury.
- **Use personal protective equipment. Always wear eye protection.** Protective equipment such as a dust mask, non-skid safety shoes, hard hat or hearing protection used for appropriate conditions will reduce personal injuries.
- **Prevent unintentional starting. Ensure the switch is in the off position before connecting to power source and/or battery pack, picking up or carrying the tool.** Carrying power tools with your finger on the switch or energising power tools that have the switch on invites accidents.

- **Remove any adjusting key or wrench before turning the power tool on.** A wrench or a key left attached to a rotating part of the power tool may result in personal injury.
 - **Do not overreach. Keep proper footing and balance at all times.** This enables better control of the power tool in unexpected situations.
 - **Dress properly. Do not wear loose clothing or jewellery. Keep your hair and clothing away from moving parts.** Loose clothes, jewellery or long hair can be caught in moving parts.
 - **If devices are provided for the connection of dust extraction and collection facilities, ensure these are connected and properly used.** Use of dust collection can reduce dust-related hazards.
 - **Do not let familiarity gained from frequent use of tools allow you to become complacent and ignore tool safety principles.** A careless action can cause severe injury within a fraction of a second.
- 4. Power tool use and care**
- **Do not force the power tool. Use the correct power tool for your application.** The correct power tool will do the job better and safer at the rate for which it was designed.
 - **Do not use the power tool if the switch does not turn it on and off.** Any power tool that cannot be controlled with the switch is dangerous and must be repaired.
 - **Disconnect the plug from the power source and/or remove the battery pack, if detachable, from the power tool before making any adjustments, changing accessories, or storing power tools.** Such preventive safety measures reduce the risk of starting the power tool accidentally.
- **Store idle power tools out of the reach of children and do not allow persons unfamiliar with the power tool or these instructions to operate the power tool.** Power tools are dangerous in the hands of untrained users.
 - **Maintain power tools and accessories. Check for misalignment or binding of moving parts, breakage of parts and any other condition that may affect the power tool's operation. If damaged, have the power tool repaired before use.** Many accidents are caused by poorly maintained power tools.
 - **Keep cutting tools sharp and clean.** Properly maintained cutting tools with sharp cutting edges are less likely to bind and are easier to control.
 - **Use the power tool, accessories and tool bits etc. in accordance with these instructions, taking into account the working conditions and the work to be performed.** Use of the power tool for operations different from those intended could result in a hazardous situation.
 - **Keep handles and grasping surfaces dry, clean and free from oil and grease.** Slippery handles and grasping surfaces do not allow for safe handling and control of the tool in unexpected situations.
- 5. Service**
- **Have your power tool serviced by a qualified repair person using only identical replacement parts.** This will ensure that the safety of the power tool is maintained.



TOOL SPECIFIC SAFETY WARNINGS

Safety instructions for all operations

- › **Wear ear protectors when impact drilling.** Exposure to noise can cause hearing loss.
- › **Wear Safety Goggles!** Hammering operations cause chips to fly. Flying particles can cause permanent eye damage.
- › **Wear a dust mask or respirator for applications that generate dust.**
- › **Keep a firm grip on the tool at all times. Do not attempt to operate this tool without holding it with both hands.** It is recommended that the side handle be used at all times. Operating this tool with one hand will result in loss of control. Ensure the side handle is properly secured before use.
- › **Do not recondition bits yourself.** Chisel reconditioning should be done by an authorised specialist. Improperly reconditioned chisels could cause injury.
- › **Wear gloves when operating tool or changing bits.** Accessible metal parts on the tools and bits may get extremely hot during operation. Small bits of broken material may damage bare hands.
- › **Never lay the tool down until the bit has come to a complete stop.** Moving bits could cause injury.
- › **Do not strike jammed bits with a hammer to dislodge them.** Fragments of metal or material chips could dislodge and cause injury.
- › **Keep the power cord away from the bit. Do not wrap the cord around any point of your body.** An electric cord damaged by a chisel bit may cause personal injury and loss of control.
- › **Use the auxiliary handle(s).** Loss of control can cause personal injury.
- › **Hold the power tool by insulated gripping surfaces, when performing an operation where the chisel may contact hidden wiring.** A chisel contacting a "live" wire may make exposed metal parts of the power tool "live" and could give the operator an electric shock.
- › **Use a detector to locate lines in walls or floors with concealed electric, water or gas lines. Avoid touching live components or conductors.** Inadvertent contact with hidden items may cause serious injury or damage to the tool.
- › **Apply pressure only in direct line with the bit and do not apply excessive pressure.** Bits can bend causing breakage or loss of control, resulting in personal injury.
- › **Keep exposure to vibrations as short as possible. When carrying out work, always hold the power tool with both hands and ensure that you have a stable standing position.** Vibrations can injure the nerves in hands & arms. Use gloves to provide extra cushioning.

ELECTRICAL SAFETY

The electric motor has been designed for operation on a 230-240V AC 50 Hz power supply. 230-240V AC means your tool will operate on alternating current at a voltage range from 230-240V. As little as 10% lower operating voltage (or incorrect mains Hz frequency) can cause loss of power and overheating. All JCB tools are factory tested. If this tool does not operate check the power supply. Make sure your power supply agrees with the voltage specified on the product rating label.

- > **Replacement of the supply cord.** If the supply cord is damaged, it must be replaced by the manufacturer or an authorised JCB Service Centre in order to avoid a hazard.



We recommend the use of a residual current device (R.C.D.) with a residual current rating of 30mA or less.

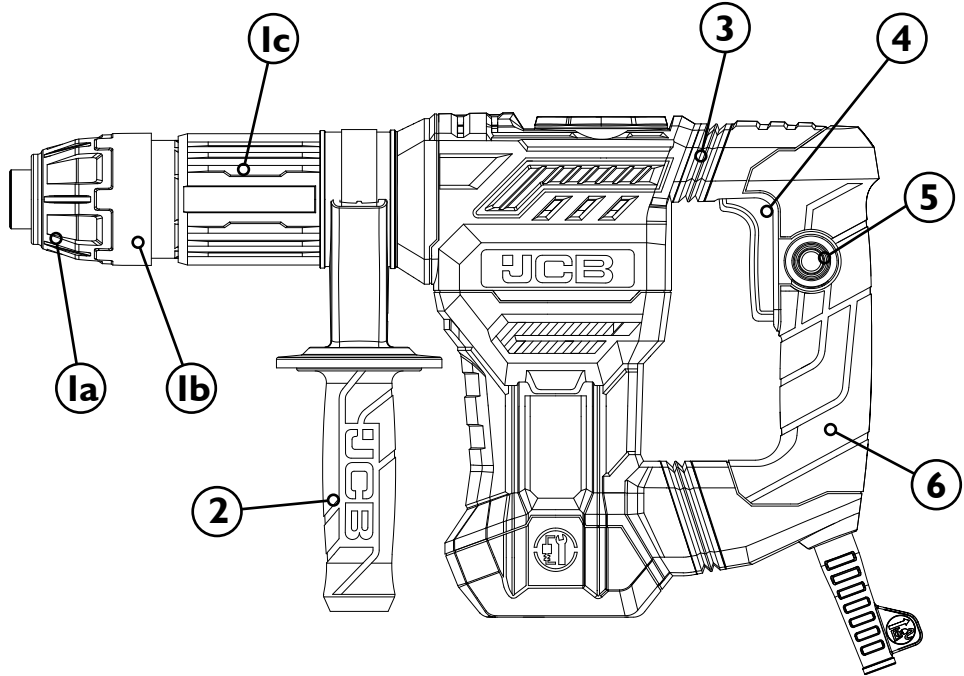


WARNING!

This electric tool generates an electromagnetic field during operation. This field may under some circumstances interfere with active or passive medical implants. To reduce the risk of serious or fatal injury, we recommend persons with medical implants consult their physician and the medical implant manufacture prior to operating this power tool.



COMPONENT LIST



- 1a. SDS MAX® CHUCK
- 1b. CHUCK BIT FASTENING & RELEASE SLEEVE
- 1c. CHISEL POSITION LOCK SLEEVE
- 2. AUXILIARY HANDLE
- 3. ANTI-VIBRATION CONTROL DEVICE
- 4. ON/OFF TRIGGER
- 5. 'LOCK-ON' BUTTON
- 6. SOFT GRIP HANDLE

TECHNICAL DATA

Input Voltage	230-240V~ 50Hz
Power	1300W
Hammer Impact Rate	4100 bpm
Impact Force	15J
Chuck Type	SDS Max®
Product Weight	5.5 kg

NOISE INFORMATION

A-Weighted Sound Pressure (LpA)	76.2dB(A)
A-Weighted Sound Level (LwA)	96.2dB(A)
K_{wA}	2.8 dB(A)
Wear ear protection when sound pressure is over 80 dB(A)	

- › The declared noise emission value(s) have been measured in accordance with a standard test method and may be used for comparing one tool with another.
- › The declared noise emission value(s) may also be used in a preliminary assessment of exposure.
- › Noise emissions during actual use of the power tool can differ from the declared values depending on the ways in which the tool is used especially what kind of workpiece is processed.
- › Identify safety measures to protect the operator that are based on an estimation of exposure in the actual conditions of use (taking account of all parts of the operating cycle such as the times when the tool is switched off and when it is running idle in addition to the trigger time).



VIBRATION INFORMATION

Vibration total values (triax vector sum) determined according to EN60745-1 and EN 60745-2-6

Chiselling	$a_{h,CHeq}$	5.920m/s ²
Uncertainty (K)		1.5 m/s ²

WARNING!

The vibration emission value of the power tool is tested under EN 60745-1 and EN 60745-2-6, and can vary during operation depending on the following usage conditions:

- How the tool is used and the materials being cut or drilled.
- The tool being in good condition and well maintained.
- Using the correct accessory for the tool and ensuring it is sharp and in good condition.
- The tightness of the grip on the handles and if any anti-vibration accessories are used.
- The tool being used as intended by its design and these instructions.
- The declared vibration total value may also be used in a preliminary assessment of exposure.

THIS TOOL MAY CAUSE HAND-ARM VIBRATION SYNDROME IF USAGE IS NOT ADEQUATELY MANAGED.

WARNING!

To be accurate, an estimation of exposure level in the actual conditions of use should also take account of all parts of the operating cycle. These include times when the tool is switched off and when it is running idle but not actually doing work. This may significantly reduce the total exposure level over the working period, helping to minimize your vibration exposure risk.

- ALWAYS use sharp and undamaged bits, chisels, drills and blades.
- Maintain this tool in accordance with these instructions and keep well lubricated (where appropriate).
- If the tool is to be used regularly then invest in anti-vibration accessories.
- Avoid using tools in temperatures of 10°C or less.
- Plan your work schedule to spread any high vibration tool use across a number of days.



OPERATING INSTRUCTIONS

Intended Use

This breaker is intended for chiselling in stone, brick and concrete.

The tool must not be modified or used for any other purposes than the ones described in these instructions.

- Remove all packaging materials and transit supports where fitted.
- Check the appliance, power cord and plug and any accessories for transport damage.
- If parts are missing or damaged, please contact your dealer.
- Retain the packing materials as long as possible until the end of the warranty period.
- Dispose of packing materials in accordance with local statutory regulations.

Attaching the Auxiliary Handle

- The side handle can be fitted to suit both right-handed and left-handed users.

Assemble the auxiliary handle onto the breaker as follows:

- Slide the auxiliary handle assembly over the front of the tool until it can go no further.
- Position the handle to suit.
- Rotate the grip clockwise to tighten the clamp firmly onto the tool.

Replacing Bits

WARNING!

Tool bits can be very sharp and can become very hot during use - risk of personal injury.

NOTE

The device is equipped with a SDS MAX® attachment system.

- Place the tool on a stable surface, for example a work bench.
- Clean tool bits and grease with a thin layer of machine grease before fitting.
- Pull back the chuck bit fastening and release sleeve (I B).
- Push and rotate the dust-free tool bit into the tool holder as far as it will go. The tool will lock automatically.
- Check that the tool bit is properly positioned & locked into the tool holder.

NOTE

Check that the tool bit is straight, centred and not askew. If the tool bit is not properly positioned it could fly out when starting the power tool.

Removing the tool bit

- Pull back the sleeve of the SDS MAX® chuck and extract the tool bit from the chuck

Initial Operation

- Do not drill in blind areas where there could be hidden electric, gas or water lines. Use the appropriate detectors to find these lines in the work area or call the local utility company for assistance.
- Contact with an electric line may cause fire or electric shock. Striking a gas line will probably result in an explosion.
- Breaking into a water pipe will cause property damage or may cause an electric shock.



WARNING!

Hold electric tools by their insulated handles whenever there is the possibility of touching hidden wires or the tools own power cord while using them.

Touching a "live" wire can transfer the voltage to the exposed metal parts of the tool and give the operator an electric shock.

Always use the correct voltage: the voltage of the power source must agree with the values on the rating plate of the machine.

- Rotate the sleeve either clockwise or anti-clockwise to align the chisel in the most effective position.
- Release the sleeve and ensure the sleeve returns fully home to it's starting position.

NOTE

The tool bit is not able to be removed from the chuck if the sleeve is not fully home.

On/Off Trigger (4)

- Press the on/off trigger to start the tool.
- The tool has a lock button (5) for constant use.

Constant Speed

Activating the lock feature:

- Gradually squeeze the ON/OFF trigger (4) until fully retracted.
- Press in the locking button (5).
- Release pressure on the ON/OFF trigger.

The tool is now locked at a constant speed without having to maintain pressure on the power switch.

To release the lock:

- Apply pressure to the ON/OFF trigger.
- The locking button will automatically release.
- Release pressure on the ON/OFF trigger.

The tool will come to a stop.

Chisel Rotation Setting

The chisel can be rotated in the chuck to achieve a more user-friendly chiselling action.

- Pull the chisel position lock sleeve (1C) towards the chuck as per the arrows indicated on the moulding.

Maintenance

WARNING!

Switch off the tool and disconnect the power before cleaning and maintenance – risk of electric shock and accidental start.

- Wipe the tool with a dry or damp cloth. Do not use a wet cloth. Do not use detergent that contains solvent or corrosive, abrasive additives – risk of damaging the surface.
- Keep the ventilation openings open – risk of overheating.
- Clear the tool vents and the SDS MAX® chuck of dust and dirt after each use. Do not clean ventilation holes by inserting sharp objects in them, such as screwdrivers and other similar objects.
- Stubborn contamination in areas hard to access can be removed with compressed air (max 3. bar).
- Regularly check all fasteners, screws and bolts to make sure that they are tight. Tighten any loose screws immediately – serious injury could occur.
- If the power cord becomes damaged and replacement is necessary, this must be carried out by an authorised warranty agent.

 **WARNING!**

Never open the tool. The tool has no internal parts that the user can service or repair. Never try to repair the tool yourself. Take to an authorised service centre.

- If the carbon brushes require replacement, this must be performed by an authorised warranty agent.
- After use, inspect the tool to ensure it is in top condition. It is recommended that you take this tool to the Authorised Service Centre for a thorough cleaning and re-lubrication at least once a year.

Transport and Storage

- If the tool shall remain unused for any length of time, it should be stored in the original packaging.
- Store the tool in a dry, frost-free, well ventilated place with a temperature of no more than 40°C and out of the reach of children.
- Protect the tool from exposure to direct sunlight.
- Always switch off the tool and disconnect it from the power supply before transport.
- Always carry the tool using the purpose-designed handle.
- Ensure that the tool is not at risk of tipping over or exposed to vibration and shocks during transport, especially if the tool will be transported by car or other vehicle.



WARRANTY STATEMENT

JCB Power Tools are guaranteed against manufacturing defects for up to 3 years from date of purchase by simply registering your product online within 30 days. Proof of purchase required. This does not affect your statutory rights.

To register your JCB Power Tool, please visit: jcb-tools.com

Online registration is required within 30 days to receive a warranty certificate to activate your standard 3 year warranty. Registration is only available online via www.jcb-tools.com. You will need your original sales receipt, the model number and the serial number (if applicable) of your product. Kits comprising of two or more tools are excluded from single registration and must be registered individually for full warranty cover.

Upon successful registration, a warranty certificate will be available to download, print or save as a PDF document. The relevant warranty certificate together with the original sales receipt will be required in the event of any claim within the warranty period.

Should you choose not to register your product within 30 days of purchase, your statutory consumer rights will not be affected. You will need the original sales receipt as proof of purchase in the event of a warranty claim.

Warranty cover commences from the date of purchase on the retail sales receipt and is valid only for JCB Tools products purchased within the UK bearing the CE and UKCA mark and a visible serial number.

In the unlikely event your JCB Power Tool is subject to a manufacturing fault within the warranty period, JCB Tools may repair the product by replacing defective parts free of charge at our discretion. In the event parts are irreplaceable JCB Tools may replace your product free of charge. The original product will remain the property of JCB Tools in this situation.

The above repair or replacement of products will be undertaken providing that:

- The product has been subject to fair wear and tear only.
- The product has not been subject to accidental or cosmetic damage.

- The product has not been misused and has been used only in accordance with the instruction manual provided.
- The product has not been subject to overload or insufficient servicing and maintenance.
- The product has not been subject to any abnormal environmental conditions or inappropriate operating conditions.
- Repairs have not been attempted by an unauthorised person and no modifications have been made to the product.
- Repairs have not been undertaken using non-genuine spare parts.

JCB Power Tools used for Hire Fleets or as part of B2B and Service Contracts are not covered by these terms and conditions.

JCB Tools 3 Year Warranty excludes the following (where applicable):

- Components normally subject to wear such as carbon brushes.
- Batteries, Chucks and Chargers.
- Accessories and consumable items.
- Cases and tool storage products.

If your product develops a fault within 30 days of purchase, return it to the retailer where it was purchased together with your sales receipt. If a product develops a fault after 30 days a warranty claim must be submitted.

If you have a warranty claim please take your product, original sales receipt and if applicable, a copy of your extended warranty certificate to your place of purchase or nearest JCB Tools retailer.

If you wish to send your product to us directly, please send to JCB Tools, Unit 55, Romsey Industrial Estate, Greatbridge Road, Romsey, Hampshire, SO51 0HR, along with your original receipt and, if applicable, a copy of your extended warranty certificate. Delivery and repair charges may apply at our discretion should the warranty claim be invalid for any of the reasons illustrated above. In the event charges are not accepted the product will be retained by JCB Tools and remain the property of JCB Tools.

The information on both your sales receipt and your extended warranty certificate must match.

JCB TOOLS WILL NOT BE LIABLE FOR ANY INJURIES OR CONSEQUENTIAL DAMAGES RESULTING FROM USE OF THIS PRODUCT.



EU DECLARATION OF CONFORMITY				UK DECLARATION OF CONFORMITY
1.	PRODUCT(S) COVERED BY THIS DECLARATION:	Product: UK Product Code No. EU Product Code No. Factory Reference No.	Corded Demolition Hammer Drill 1300W SDS MAX JCB-DH1300, 21-DH1300 JCB-DH1300-E Z1G-DG-0845HM	Batch/PO No.
2.	IDENTIFICATION DETAILS OF MANUFACTURER:	Name: Address: Country:	Yellow and Black Tools Ltd. (T/A: JCB Tools) Unit 55 Romsey Industrial Estate, Greatbridge Road Romsey, Hampshire SO51 0HR UK	
	AUTHORISED REPRESENTATIVE:	Name: Address: Country:	Authorised Representative Service 77 Camden Street Lower Dublin DO2 XE80 Ireland	
THIS DECLARATION OF CONFORMITY IS ISSUED UNDER THE SOLE RESPONSIBILITY OF THE MANUFACTURER				
4.	OBJECT OF THE DECLARATION:	Product: Function:	Corded Demolition Hammer Breaker Drill SDS MAX Percussion Chiselling.	
5i.	THE OBJECT OF THE DECLARATION DESCRIBED IN POINT 4 IS IN CONFORMITY WITH THE RELEVANT UNION HARMONISATION LEGISLATION:	2006/42/EC	The Machinery Directive	
		2014/30/EU	The Electromagnetic Compatibility Directive	
		2011/65/EU	The Restriction of Hazardous Substances Directive	
5ii.	THE OBJECT OF THE DECLARATION DESCRIBED IN POINT 4 IS IN CONFORMITY WITH THE RELEVANT UK STATUTORY INSTRUMENTS:	2008 No. 1597	The Supply of Machinery (Safety) Regulations 2008	
		2016 No. 1091	The Electromagnetic Compatibility Regulations 2016	
		2012 No. 3032	The Restriction of the Use of Certain Hazardous Substances in Electrical and Electronic Equipment Regulations 2012	
6.	REFERENCES TO THE RELEVANT HARMONISED SAFETY STANDARDS USED OR REFERENCES TO THE OTHER TECHNICAL SPECIFICATIONS IN RELATION TO WHICH CONFORMITY IS DECLARED:	EN 60745-1:2009+A11 EN 60745-2-6:2010 EN 55014-1:2017+A11 EN 55014-2:2015 EN 61000-3-2:2019 EN 61000-3-3:2013+A1	Hand-held motor-operated electric tools. Safety. General requirements Hand-held motor-operated electric tools. Safety. Particular requirements for hammers Electromagnetic compatibility. Requirements for household appliances, electric tools and similar apparatus. Emission Electromagnetic compatibility. Requirements for household appliances, electric tools and similar apparatus. Immunity Electromagnetic compatibility (EMC). Limits. Limits for harmonic current emissions (equipment input current ≤ 16 A per phase) Electromagnetic compatibility (EMC). Limits. Limitation of voltage changes, voltage fluctuations and flicker in public low-voltage supply systems, for equipment with rated current ≤ 16 A per phase and not subject to conditional connection	
7.	ADDITIONAL INFORMATION. THE TECHNICAL DOCUMENTATION FOR THE MACHINERY IS AVAILABLE FROM:	Name: Address: Country:	Authorised Representative Service 77 Camden Street Lower Dublin DO2 XE80 Ireland	
SIGNED FOR AND ON BEHALF OF: PLACE OF ISSUE: DATE OF ISSUE: NAME: FUNCTION: SIGNATURE:		YELLOW AND BLACK TOOLS LTD. ROMSEY, UK. 25/06/2021 TIM BURGOWNE QA MANAGER 		